

N-2 NOMENCLATURE OF HEAT EXCHANGER COMPONENTS

For the purpose of establishing standard terminology, Figure N-2 illustrates various types of heat exchangers. Typical parts and connections, for illustrative purposes only, are numbered for identification in Table N-2.

TABLE N-2

1. Stationary Head-Channel	21. Floating Head Cover-External
2. Stationary Head-Bonnet	22. Floating Tubesheet Skirt
3. Stationary Head Flange-Channel or Bonnet	23. Packing Box
4. Channel Cover	24. Packing
5. Stationary Head Nozzle	25. Packing Gland
6. Stationary Tubesheet	26. Lantern Ring
7. Tubes	27. Tierods and Spacers
8. Shell	28. Transverse Baffles or Support Plates
9. Shell Cover	29. Impingement Plate
10. Shell Flange-Stationary Head End	30. Longitudinal Baffle
11. Shell Flange-Rear Head End	31. Pass Partition
12. Shell Nozzle	32. Vent Connection
13. Shell Cover Flange	33. Drain Connection
14. Expansion Joint	34. Instrument Connection
15. Floating Tubesheet	35. Support Saddle
16. Floating Head Cover	36. Lifting Lug
17. Floating Head Cover Flange	37. Support Bracket
18. Floating Head Backing Device	38. Weir
19. Split Shear Ring	39. Liquid Level Connection
20. Slip-on Backing Flange	40. Floating Head Support

FIGURE N-2

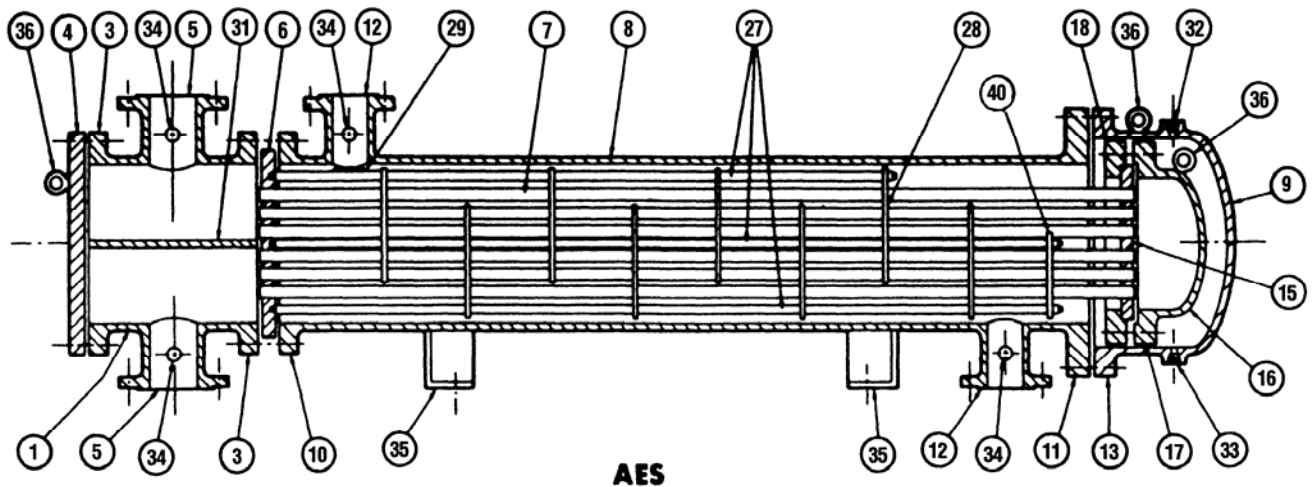
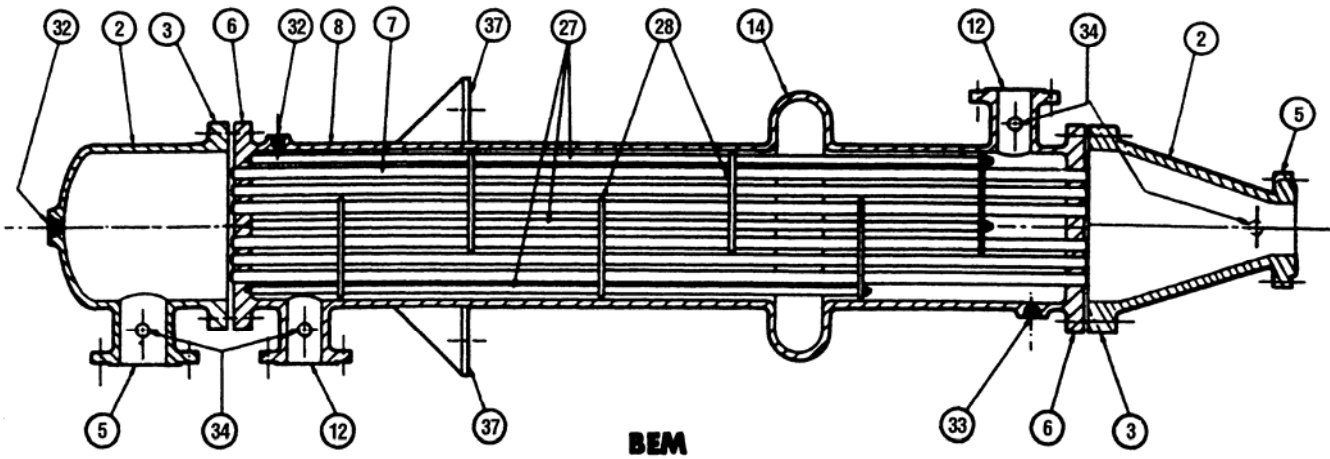
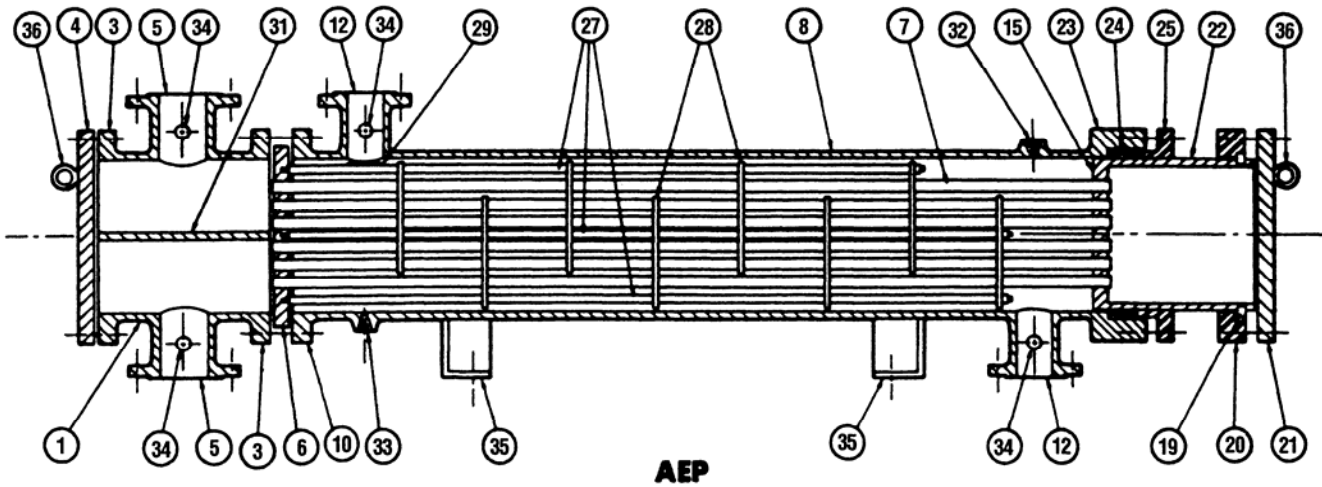


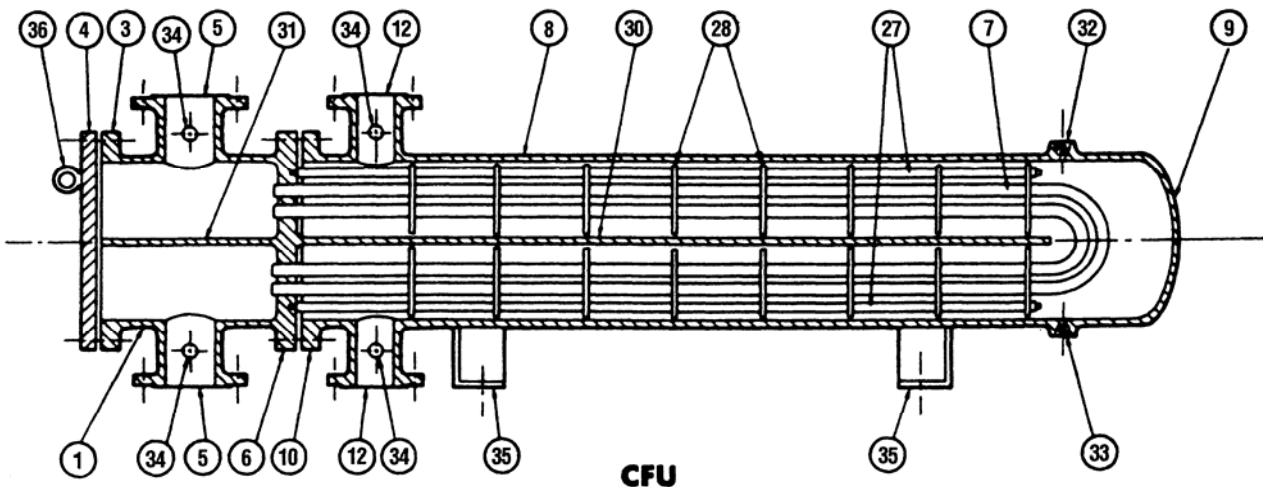
FIGURE N-2 (continued)



BEM

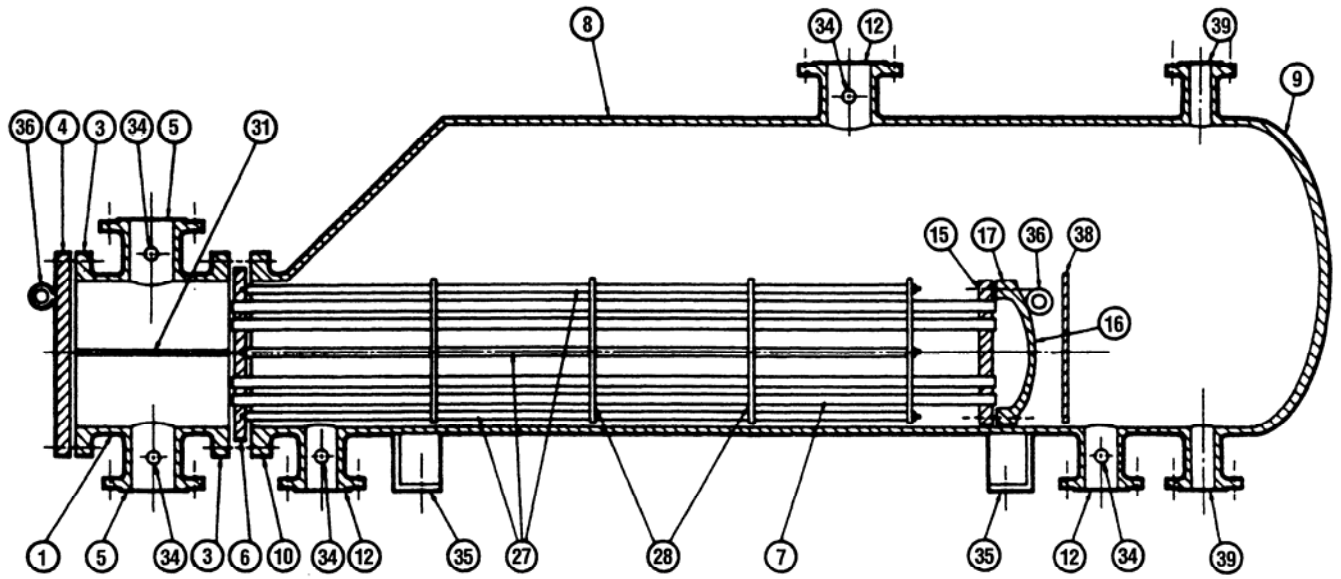


AEP

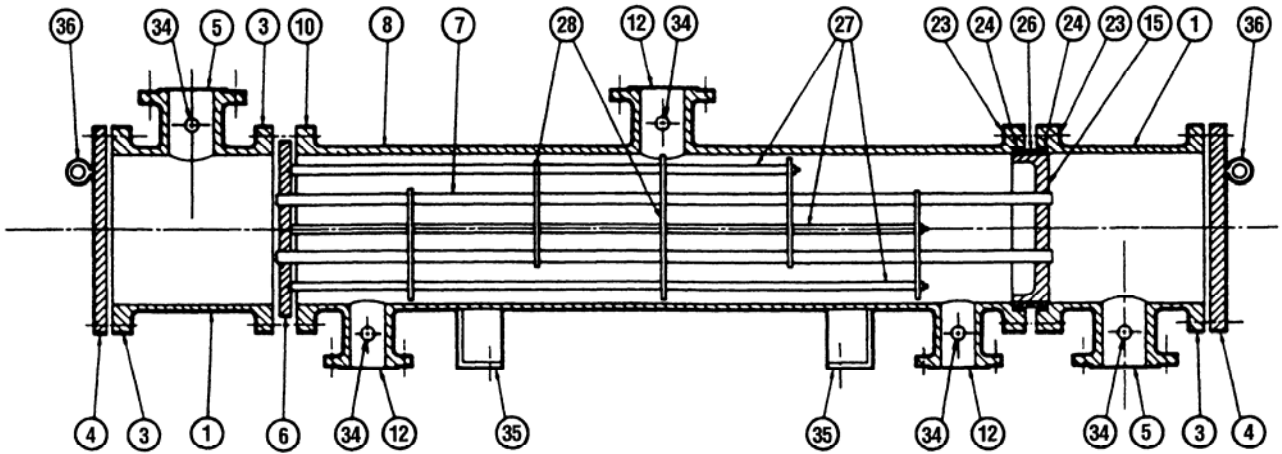


CFU

FIGURE N-2 (continued)



AKT



AJW

This page intentionally blank